

Manual Supplement

Manual Title:	27 Service	Supplement Issue:	2
Part Number:	690206	Issue Date:	7/99
Print Date:	November 1998	Page Count:	2
Revision/Date:			

This supplement contains information necessary to ensure the accuracy of the above manual. Enter the corrections in the manual if either one of the following conditions exist:

1. The revision letter stamped on the indicated PCA is equal to or higher than that given with each change.
2. No revision letter is indicated at the beginning of the change.

Change #1

On page 1-6, Table 1-1, under Operating Temperature,

Change:	-150° C
To:	-15° C

Change #2

On page 4-6, Table 4-1, change,

MP7	From:	744565
	To:	665026

MP14	From:	830166
	To:	670585

MP16	From:	Retainer, Battery, Yellow	744615
	To:	Spacer, Battery. Yellow	665023

MP 19	From:	661025
	To:	665034

Change #3

On page 3-6, Table 3-2, change,

F2	From:	943118
F2	To:	803293

On pages 3-8 and 4-7, Figures 3-2 and 4-1, change the view of MP16 as shown in Figure A.

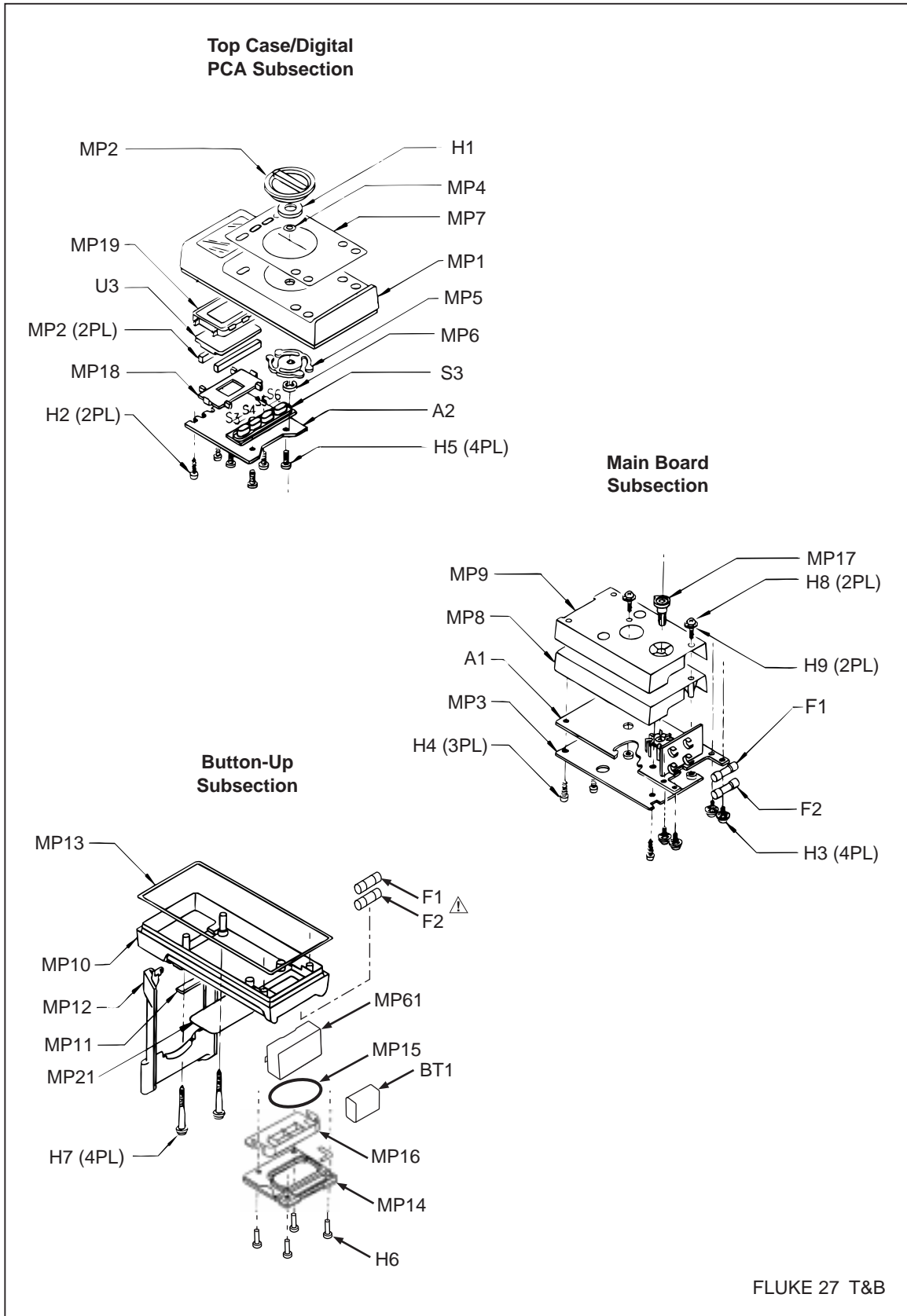


Figure A.

AAC07c.eps

On page 4-6, Table 4-1, change,

△F2 From: 943118
To: 803293

MP14 From: 830166
To: 670585

TM1 From: 738088
To: 690203

On page 4-8, Table 4-2,

Change:	C34	CAP,POLYES, 1000 PF, +-20%, 630 V	740126	
To:	C34	CAP,POLYES, 1000 PF, +-20%, 1000V	668959	
Change:	C49	CAP,CER,0.022 UF,=80-20%,500 V,Z5U	740340	
To:	C49	CAP R05;CAP;POLYES;0.022UF;+-10%;50V	715268	
Change:	CR 1-5	DIODE,SI, 1 K PIV, 1.0 AMP	453399	5
To:	CR 1-4	DIODE,1N,4007 A52R;DIODE;SI;1KV;1A;DO-41	707075	4
Add:	CR005	DIODE RL 1N4007R05A;DIODE;SI;1KV;1A;DO-41	887203	1
Change:	R1	RES,CC,220 K,+-10%, 1 W	714485	
To:	R1	76-4R01T-K; R-NET; CERM; SIP; HI V PROTECT	103454	
Change:	R2	RES,MF, 1K,+-1%, 100 PPM, FLMPRF,FUSIBLE	650085	
To:	R2	RES, A52R;RES;WW;3.5K;+-5%; 5W;20PPM	107695	
Change:	R9	RES,MF,402 K,+-0.1%, 0.125W,100 PPM	714329	
To:	R9	RES,A52R;RES;MF;402K;+-0.1%;0.5W;100PPM	689638	
Change:	RT1,2	THERMISTOR,RECT.,POS.,1K,+-40%,25 C	602995	2
To:	RT1	THERMISTOR,RECT.,POS.,1K,+-40%,25 C	602995	1
Change:	U1	8025 AP25 CHIP ASSEMBLY TESTED	665059	
To:	U1	52-4025T; 8025 AP25 CHIP ASSEMBLY TESTED	700112	
Add:	W002	FLUKE 27-4501; WIRE; MILLIAMP JUMPER1	665049	2
Change:	XF1	CONTACT,600 V, FUSE	659524	2
To:	XF5,6	CONTACT,600 V, FUSE	659524	2
Change:	XF3	600 VOLT FUSE CONTACT	707190	2
To:	XF3,4	600 VOLT FUSE CONTACT	707190	2
From:	XBT1	CONTACT ASSY TERMINATION	651653	
To:	XBT1	FLUKE 27-4401; CONNECTOR; BATTERY; ASSY	670577	

Delete the entire entries for C5, R42, W3 and XF2.